

# ZEROX

THE UNIQUE POWER IN DISGUISE



Zerox family offers different optical solutions in a recessed round body that is second to none when it comes to reliability.



# ZEROX HYBRID

## TECHNICAL SPECIFICATIONS

### GENERAL HIGHLIGHTS

- Operating temperature: -40°C / +55°C
- Easy installation with in - ground housing and IP rated connectors
- Inclusive plastic housing, IP68 junction box and case removing vacuum
- In compliance with EN 60598, EN 62722
- ENEC and UL pending

### ELECTRICAL PROPERTIES

- Drive current: 700mA
- Excellent thermal management with optimized PCB design
- Input Voltage: 220V - 240V, 120V - 277V (optional) at 50Hz / 60Hz
- Control type: On/Off, 1-10V (optional), DALI (optional), DMX (optional)
- Power factor > 0.95

### OPTICAL PROPERTIES

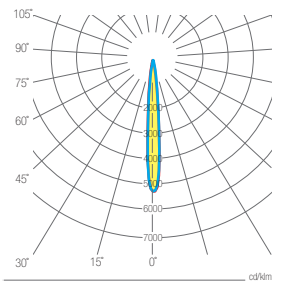
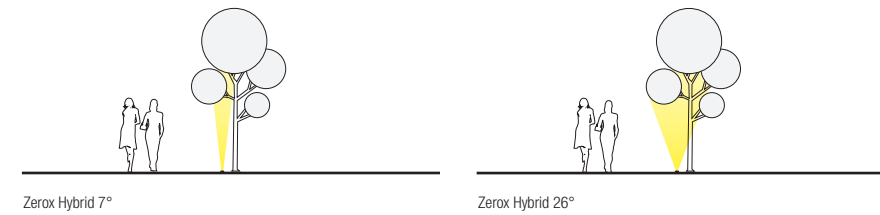
- Structured with Heper's Hybrid LED Module
- Zerox Hybrid: Symmetric spot or flood optics (7°, 26°)
- MacAdam Elipse 3
- Lumen output (absolute photometry): 550lm - 2750lm
- RGBW (optional)
- Color temperature: 3000K, 4000K, 2700K (optional)
- CRI > 70 (4000K), CRI > 80 (3000K)
- Photobiological safety: Risk group 0
- Lifetime: L90B50 > 118000h

### BODY HOUSING & FINISH

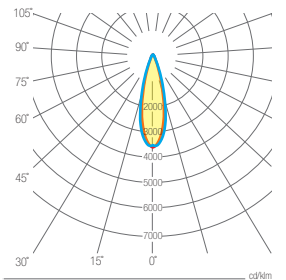
- Corrosion resistant stainless steel housing
- Plastic sleeve
- Ingress protection: IP67
- Impact protection: IK09

### EXTRAS

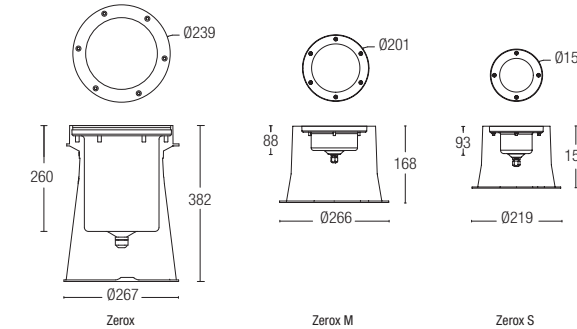
- Higher CRI LED chips
- Different drive currents
- Programmable driver for different scenarios



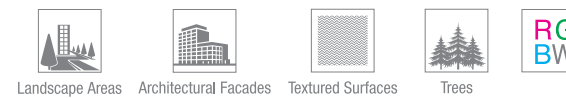
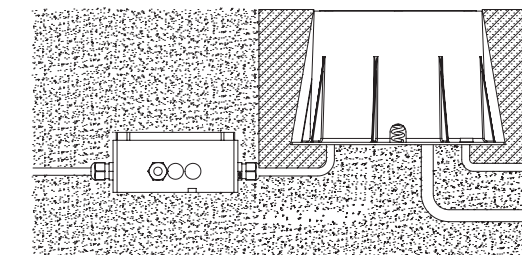
Zerox Hybrid 7°



Zerox Hybrid 26°



#### Inclusive Accessories



LUMINAIRE				
CODE	DESCRIPTION	POWER (700 mA)	LUMEN	COLOR TEMPERATURE
LR9016.693	Zerox S Hybrid	8W	550lm - 625lm	3000K / 4000K
LR9017.690	Zerox M Hybrid	16W	1150lm - 1300lm	3000K / 4000K
LR9005.695	Zerox Hybrid	35W	2000lm - 2750lm	3000K / 4000K

#### Distribution options

N: narrow - 7°  
M: medium - 26°  
R: RGBW

Ordering guide : **Product Code - Distribution option**  
i.e. LR9005.695 - M



# ZEROX DYNO

## TECHNICAL SPECIFICATIONS

### GENERAL HIGHLIGHTS

- Operating temperature: -40°C / +55°C
- Easy installation with in - ground housing and IP rated connectors
- Inclusive plastic housing, IP68 junction box and case removing vacuum
- In compliance with EN 60598, EN 62722
- ENEC and UL pending

### ELECTRICAL PROPERTIES

- Drive current: 350mA
- Excellent thermal management with optimized PCB design
- Input Voltage: 220V - 240V, 120V - 277V (optional) at 50Hz / 60Hz
- Control type: On/Off, 1-10V (optional), DALI (optional)
- Power factor > 0.95

### OPTICAL PROPERTIES

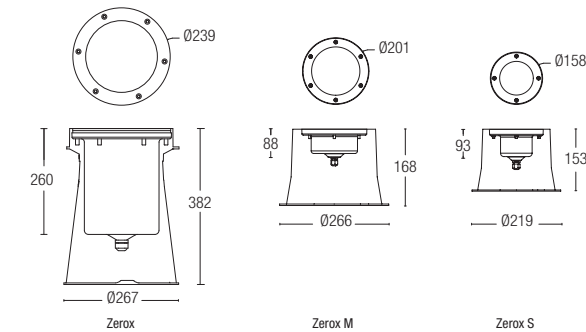
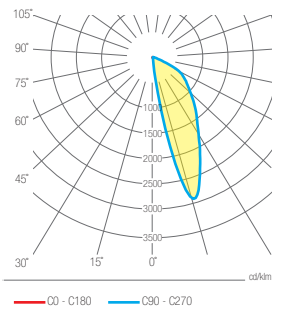
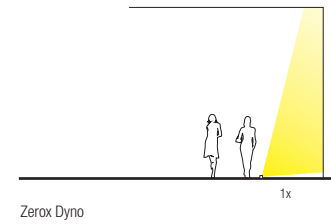
- Structured with Heper's DynoLED Module
- Wall - washing optics
- MacAdam Elipse 3
- Lumen output (absolute photometry): 225lm - 950lm
- Color temperature: 3000K, 4000K, 2700K (optional)
- CRI > 70 (4000K), CRI > 80 (3000K)
- Photobiological safety: Risk group 0
- Lifetime: L90B50 > 118000h

### BODY HOUSING & FINISH

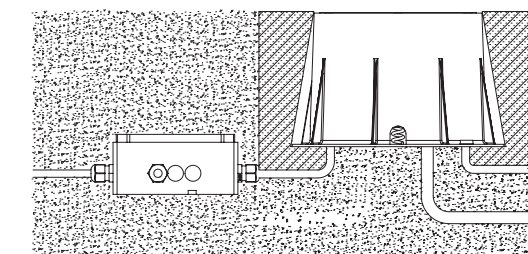
- Corrosion resistant stainless steel housing
- Plastic sleeve
- Ingress protection: IP67
- Impact protection: IK09

### EXTRAS

- Higher CRI LED chips
- Different drive currents
- Programmable driver for different scenarios



#### Inclusive Accessories



LUMINAIRE				
CODE	DESCRIPTION	POWER (350 mA)	LUMEN	COLOR TEMPERATURE
LR9016.521	Zerox S Dyno	4W	225lm - 240lm	3000K / 4000K
LR9017.522	Zerox M Dyno	8W	440lm - 475lm	3000K / 4000K
LR9005.524	Zerox Dyno	18W	885lm - 950lm	3000K / 4000K



